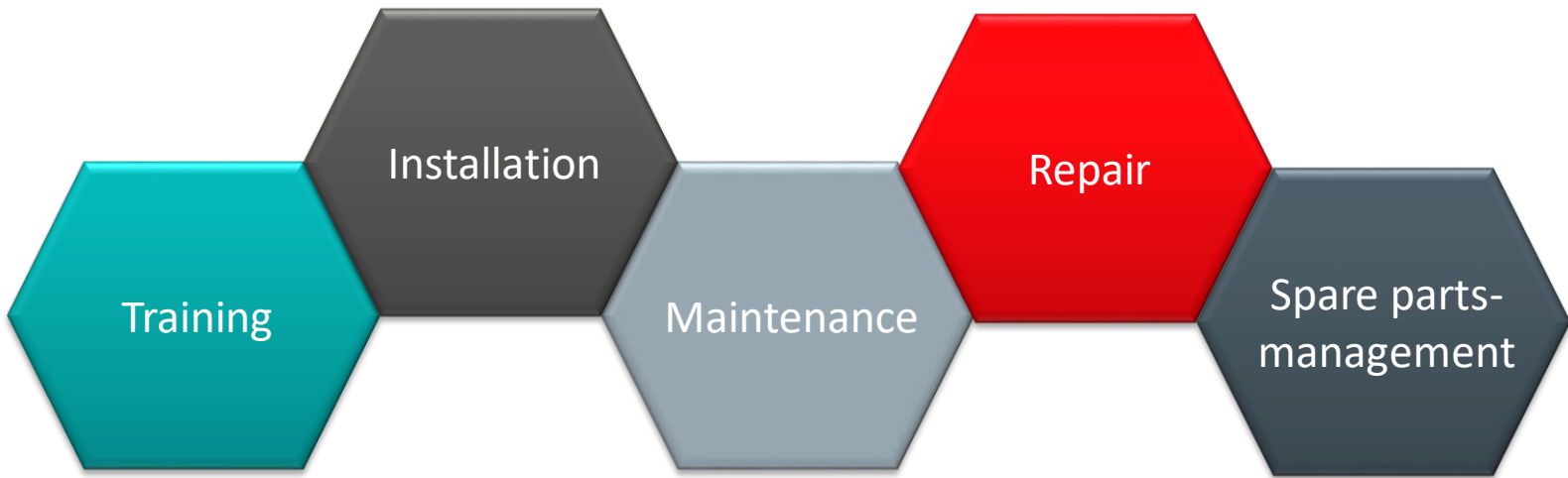




Ondal Academy

Training program

Ondal Academy



Welcome to our exclusive product training courses, where theory meets practice and takes your skills to a new level!

We are pleased to present our training program on the following pages.

Why our training courses?

In addition to the usual requirements and manufacturer standards, we offer you the following highlights, among others:

Hands-on experience

Learn directly on the system, experience the challenges of real installation conditions and master them with brilliance.

You will have the opportunity to improve your skills live on the complete Ondal portfolio and master simulated situations in the field with confidence.

Sound and proven theory

Benefit from the many years of experience of our product experts and the exchange of knowledge from the market through internal change management and quality management.

Training content

Basic / installation training courses

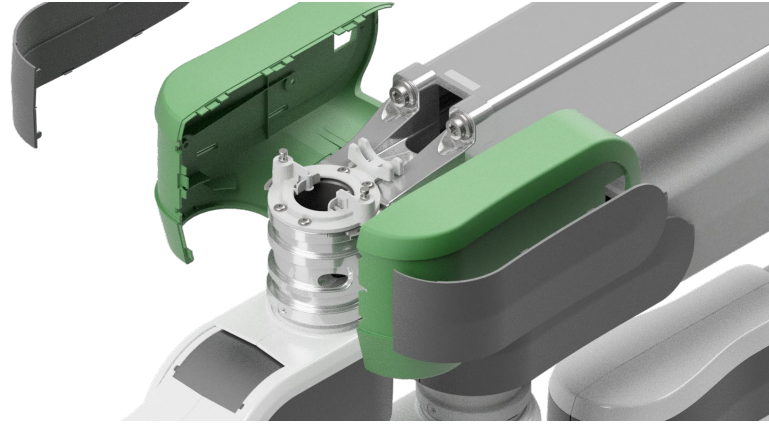
Our comprehensive basic training course will provide the perfect preparation for service technicians to perform their tasks. The training combines theoretical knowledge with practical exercises on the system and includes the following content:

- Basic knowledge of the system
Introduction to the functionality and components of the system
- Basics of ceiling mounting
Fastening methods and installation requirements
- Assembling Ceiling mounting
Step-by-step instructions and practical exercises for secure fastening
- Mounting the system
Integration of the components and complete installation of the system
- Installation of end devices
Installation and configuration of various end devices
- Maintenance of the system
Regular maintenance, problem solving and preventive measures

Remote training

Following the successful completion of a face-to-face training course, it is possible to carry out the basic/installation retraining course remotely. With the exception of the practical component, this course provides the same quality as the face-to-face training. The remote formats enable interactive and flexible participation, ensuring that all theoretical content and learning objectives can be taught just as effectively.

After successfully completing the basic/installation training or the remote training, participants are permitted to utilize the acquired knowledge for a period of two years.



Training content

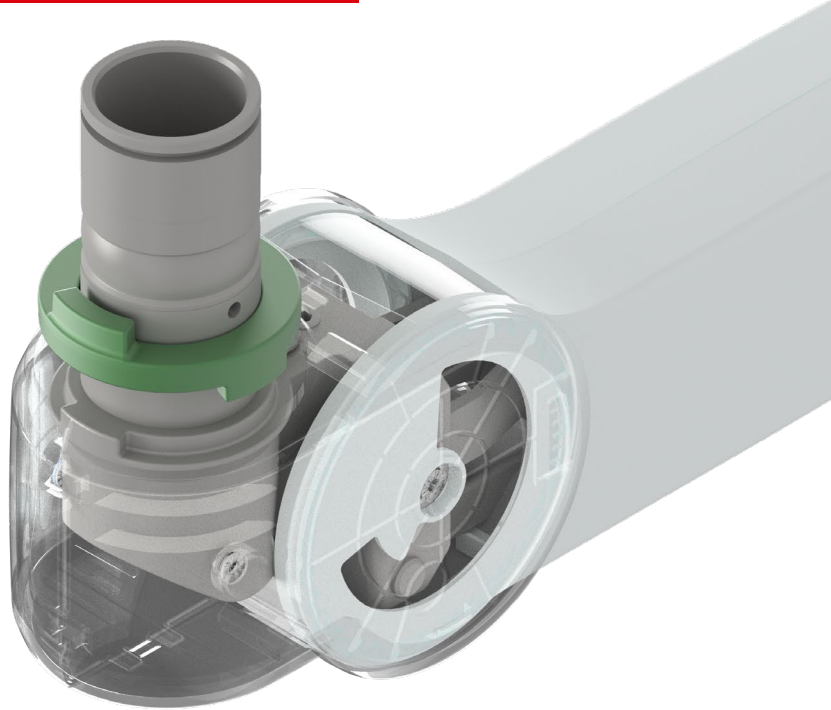
Train-the-Trainer

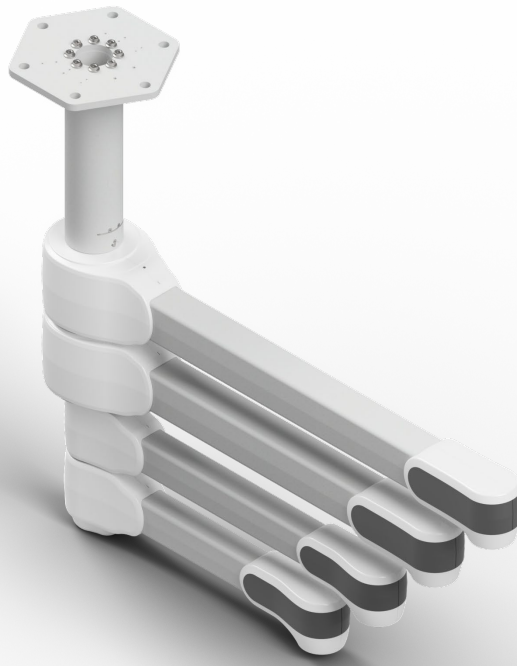
The train-the-trainer course covers all the content of the basic course and goes beyond it. Upon successful completion, you'll be authorized to train your colleagues in basic/installation training for two years.

In addition to the basic content, the following topics are covered:

Additionally in the "Train the Trainer Course"

- Detailed knowledge of the product portfolio
Overview of the complete product range and possible system combinations
- Project planning
Requirements for statics and room conditions for various installation scenarios.
- Troubleshooting and repairs
Methods for the efficient diagnosis and rectification of system problems.
- Field experiences
Exchange and analysis of real application examples and best practices.
- Spare parts management
Spare parts management is designed to be customer-friendly and includes a visual presentation that enables the optimum identification of the required components





VALiA S/C

VALiA S/C Central axis and Spring Arms

Basic / installation training courses - Face-to-face training

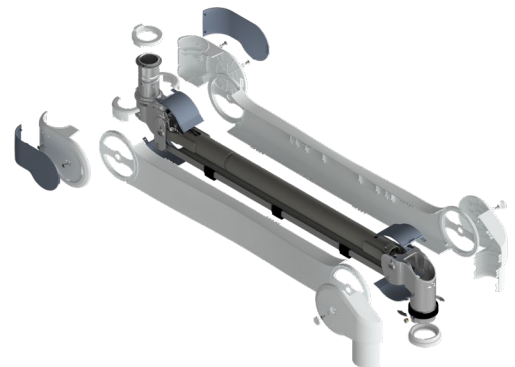
| | |
|-----------------------|----------------|
| Qualifications | none |
| Duration | 6 hours |
| Location | Inhouse/Onsite |

Basic / installation training courses – Remote

| | |
|-----------------------|---|
| Qualifications | valid participation certificate for basic / installation training |
| Duration | 3 hours |
| Location | Remote |

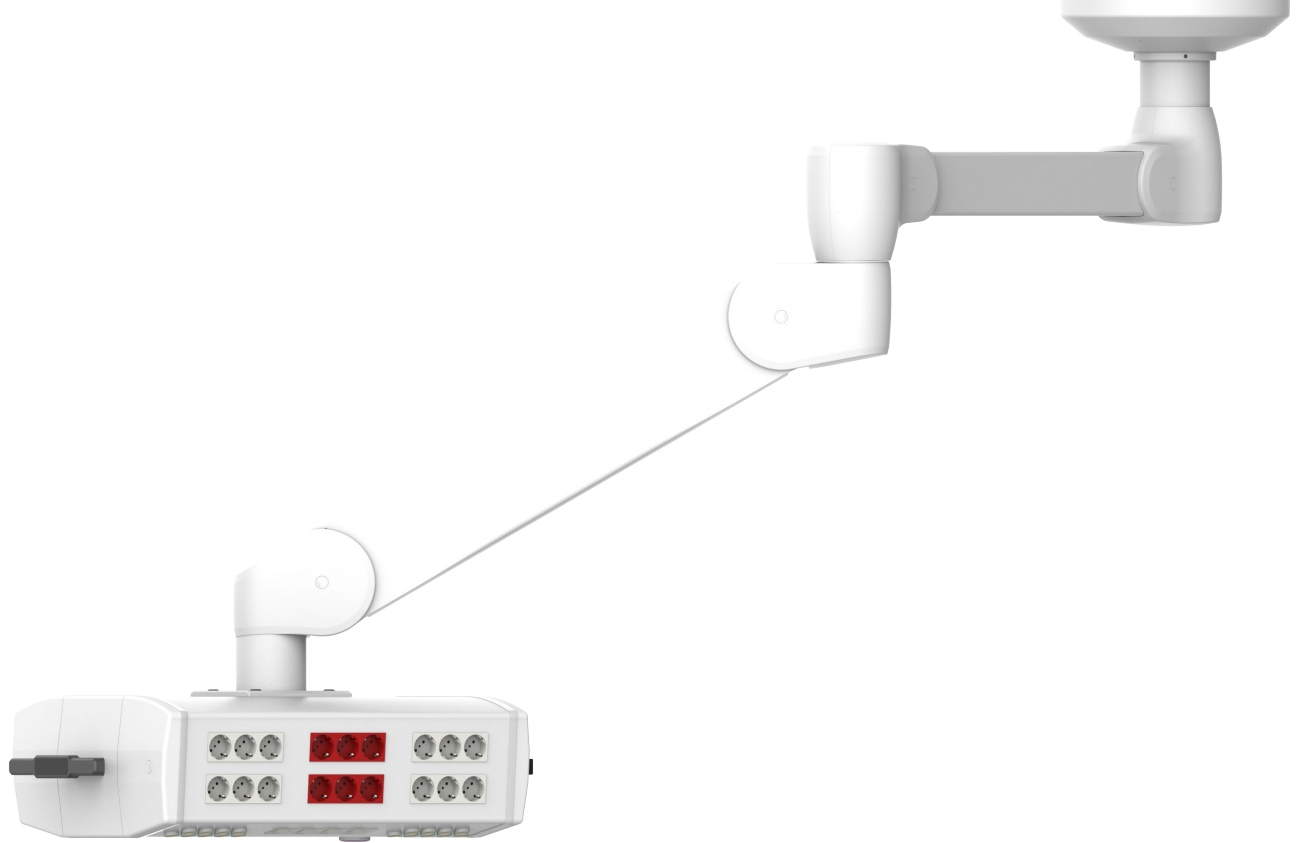
Train-the-Trainer course

| | |
|-----------------------|--------------------------------------|
| Qualifications | none – - includes the basic training |
| Duration | 9 hours |
| Location | Inhouse |



Products VALiA axis, VALiA spring arms incl. Ondal end devices

Optional Central Axis VALiA C, VALiA S, Combination VALiA C/S
 Optional Spring Arms LCH-Series, L-Series, MD-Series, XRS-Series
 Optional end devices VarioView, Vista, Cemor, Standard light



VALiA X

VALiA X Cental axis and Spring Arms

Basic / installation training courses - Face-to-face training

| | |
|----------------|----------------|
| Qualifications | none |
| Duration | 5 hours |
| Location | Inhouse/Onsite |

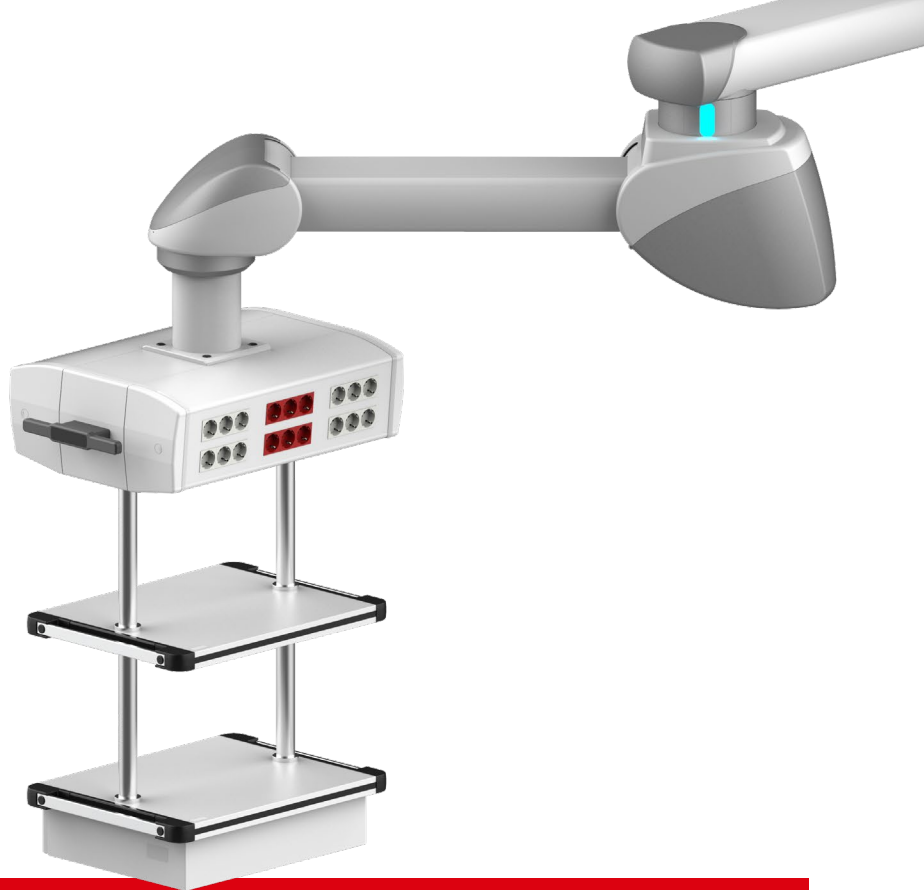
Basic / installation training courses – Remote

| | |
|----------------|---|
| Qualifications | valid participation certificate for basic / installation training |
| Duration | 2,5 hours |
| Location | Remote |

Train-the-Trainer course

| | |
|----------------|--------------------------------------|
| Qualifications | none – - includes the basic training |
| Duration | 6 hours |
| Location | Inhouse |

| | |
|----------------------|---------------------------------|
| Products | VALiA X incl. Ondal end devices |
| Optional end devices | Cemor, M20 |



MediFamily

MediBoom, Medilift Spring Arm, MediLift Motor Arm

Basic / installation training courses - Face-to-face training

| | |
|----------------|----------------|
| Qualifications | none |
| Duration | 9 hours |
| Location | Inhouse/Onsite |

Basic / installation training courses – Remote

| | |
|----------------|---|
| Qualifications | valid participation certificate for basic / installation training |
| Duration | 4,5 hours |
| Location | Remote |

Train-the-Trainer course

| | |
|----------------|--------------------------------------|
| Qualifications | none – - includes the basic training |
| Duration | 12 hours |
| Location | Inhouse |

| | |
|----------------------|---|
| Products | MediFamily incl. Service Head/Ondal end device |
| Optional systems | MediBoom, Medilift Spring Arm, MediLift Motor Arm |
| Optional end devices | M6, M20, Cemor |



Special conditions

Unleash your potential, embrace new knowledge!

We offer you attractive special conditions for our training courses:

In case of booking two different trainings in a row, an additional discount of 20 % on the training is granted.

Please note that individual training requests are excluded from the discount.

Onsite training courses

It is possible to carry out on-site training at any time. In this case, it is the responsibility of the customer or the service provider to ensure that the necessary infrastructure is provided. This includes appropriate training rooms, the systems to be trained and the required equipment (tools, lifting devices, test equipment, etc.). In addition, the following travel expenses are incurred:

- DACH-region: 950,00 €
- Benelux: 1.150,00 €
- Rest of the EU: 1.950,00 €
- Outside the EU: Price on request

Inquiries and contact

Training inquiries can be sent to us at any time via our website. We look forward to providing you with a customized offer.



Price list

Unleash your potential, embrace new knowledge!

| Training | System | Price per participant (plus applicable sales tax) | | |
|------------|-------------------------------|--|-----------------------------|------------------------------|
| | | min. 3 participant | From the 5th participant | From the 10th participant |
| VALiA S/C | Basic / installation training | 420,00€ | 380,00€ | 340,00€ |
| | Train the Trainer | 630,00 € | 570,00€ | 500,00€ |
| | Remote | 210,00 € | - | - |
| VALiA X | Basic / installation training | 350,00€ | 315,00€ | 280,00€ |
| | Train the Trainer | 420,00 € | 380,00€ | 340,00€ |
| | Remote | 175,00 € | - | - |
| MediFamily | Basic / installation training | 630,00€ | 570,00€ | 500,00€ |
| | Train the Trainer | 840,00 € | 760,00€ | 670,00€ |
| | Remote | 315,00 € | - | - |